

规格承认书

Specification for approval

产品名称: AB10 系列 mini 短脚低背式汽车插片保险丝

Product Type: AB10 Series *Low Profile 10.9mm Zinc Alloy Mini Blade*

Fuse Rated 32VDC 58VDC 60VDC 15A Blue For Automotive Passenger Car

Ao littel Technology Co.Ltd.

Bld. 16,Yanhe East Road,Xiangdong Village, Dongguan 523833,
Guangdong,China

H.P.: 1371362419

Fax #:0769-89390418

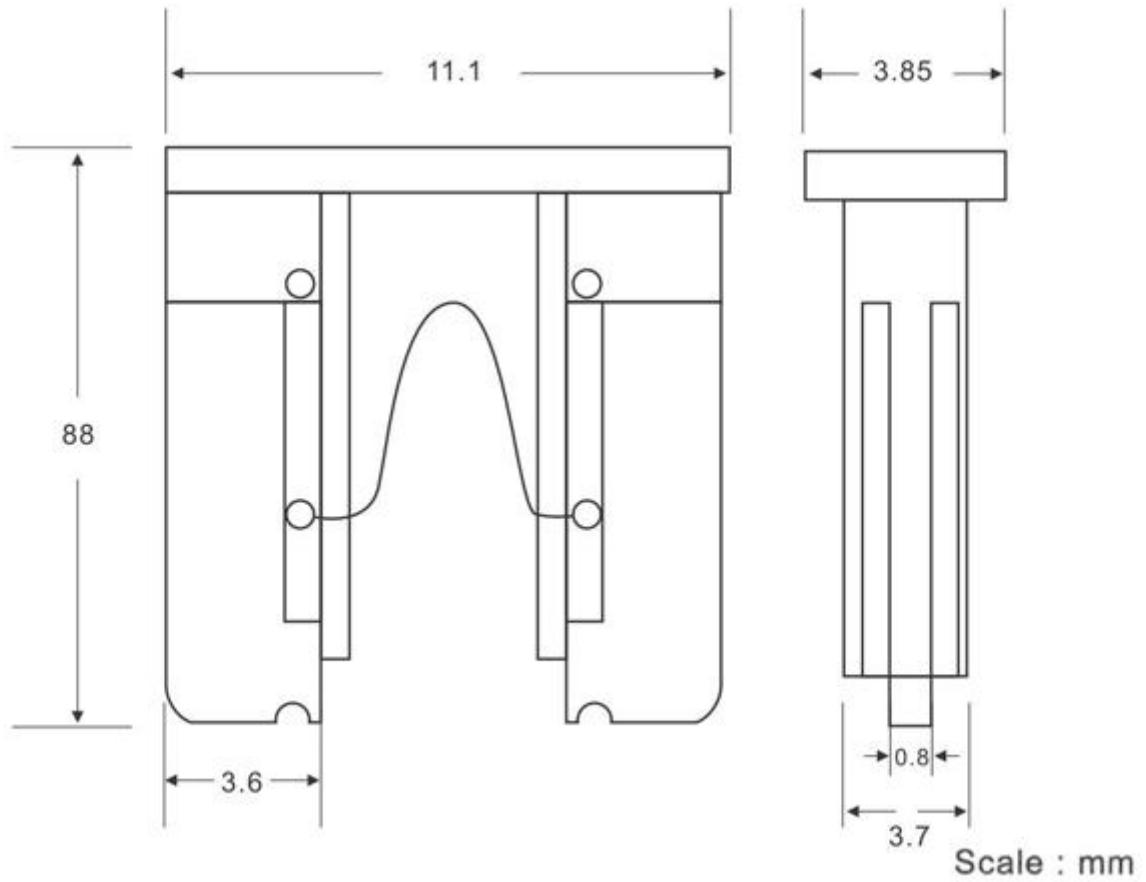
QQ #: 3217998702

Email : eric.lye@aolittel.com

<http://www.passivemall.com/>

<http://www.aolittel.com/>

1. Dimension (mm)



Fast Acting, Low Voltage For UP To 32v DC	
Material	*Body: Plastic. *Metal: Zinc Alloy
Standard	According To SAE J2077
To Permit More Fuses in The Same Amount of Space	
Fuses Are Color-Coded For Easy Amperage Identification.	

2. Time-Current Characteristics

In	110%In	135%In		200%In		350%In		600%In	
		Min.	Max.	Min.	Max.	Min.	Max.	Min.	Max.
3-35A	>100Hours	0.75 s	1800 s	0.15 s	5 s	0.04 s	0.5 s	0.02 s	0.1 s

3. Electrical Performances

Part Number	Ampere(A)	VoltageVDC	Body Color
AB10003	3A	32V	Violet
AB10004	4A	32V	Pink
AB10005	5A	32V	Tan
AB10075	7.5A	32V	Brown
AB10010	10A	32V	Red
AB10015	15A	32V	Blue
AB10020	20A	32V	Yellow
AB10025	25A	32V	Natural
AB10030	30A	32V	Green
AB10035	35A	32V	Purple

4. Product Photo

